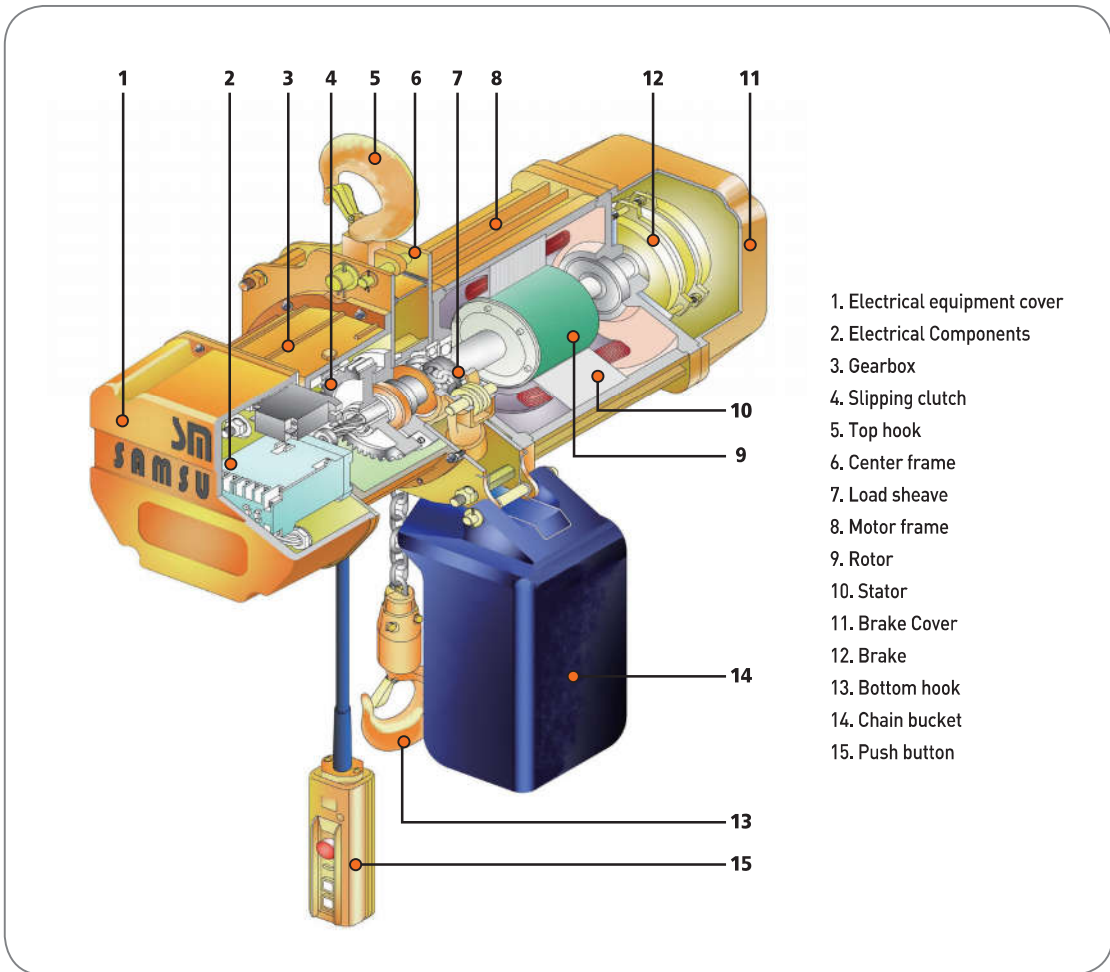




HOIST & CRANE

The best support for the best product

SH SAMSUNG HOIST



EXPLANATION OF HOIST DESIGNATION

SM T - S 1000 - AF

*Other

SP = Single Phase

AF = A Frame

BF = B Frame

CF = C Frame

*Hoist capacity (KG)

1000KG, 2000KG...

*Hoisting speed

S = Single Speed

D = Dual speed

*Traversing method

O = Ordinary type

T = Motor Driven Trolley

L = Low head type

Samsung Machinery

MAIN PRODUCTS

Chain Hoist & Explosion-proof Hoist



Suspension Type
1/2ton~20ton



Motor trolley Type
1/2ton~20ton



Low-Head Type
1/2ton~5ton



Single Phase Hoist
1/2ton~2ton

Crane & Components of Crane



Crane



Saddle



Geared motor



Soft Starter

SELECTION CRITERIA

You can use CHAIN HOIST for a long time without any trouble if you select it properly according

Samsung Electric Chain Hoists are allocated to mechanism groups in accordance with the following regulations. Under the allowance of the following mechanism groups, the hoist should be operated and should not exceed the nominal values. On each identification plate, the following is indicated.

Hook suspension chain hoist : FEM 9.511 (Hoist = FEM 2m 40% ED)

Motor trolley mounted series : FEM 9.511 (Hoist/Trolley + FEM 2m 1Am 40 / 25% ED)

Starting frequency = 240 time/Hr.

FEM Mechanism Group 9.511

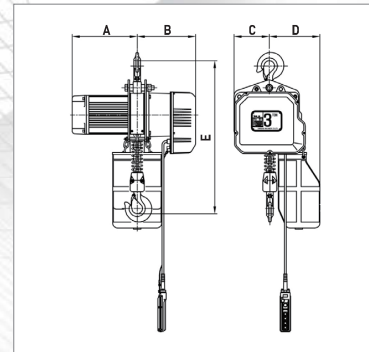
[Rules for Design of Serial Lifting Equipment : Classification of Mechanism]

Mechanism group	1Bm	1Am	2m	3m	4m	5m
Load group	Average operating period per day (h)					
Light $k < 0.50$	<2	2-4	4-8	8-16	>16	-
Medium $0.50 < k < 0.63$	<1	1-2	2-4	4-8	8-16	>16
Heavy $0.30 < k < 0.80$	<0.5	0.5-1	1-2	2-4	4-8	8-16
Very Heavy $0.80 < k < 1.00$	<0.25	<0.5	0.5-1	1-2	2-4	4-8

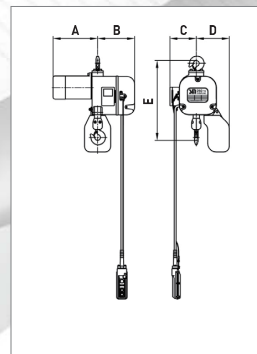
CHAIN HOIST

Suspension Type

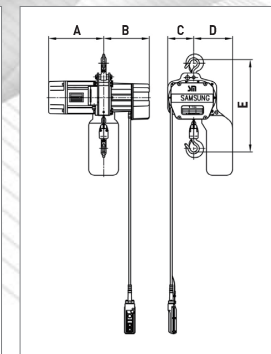
SM-SERISE CHAIN HOIST



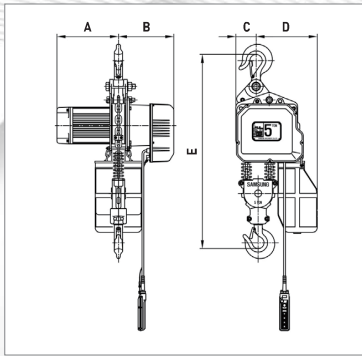
C-Frame 3000kg



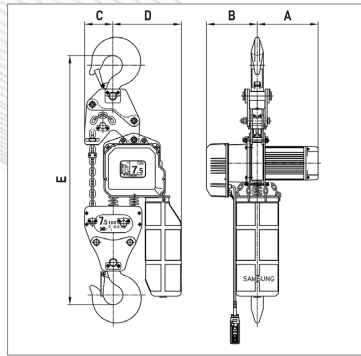
A-Frame 250~500kg



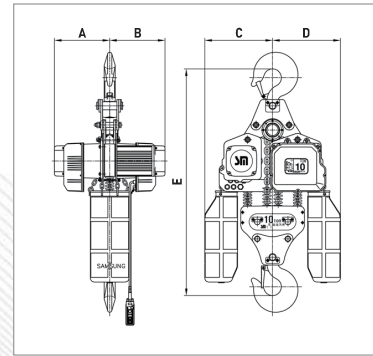
B-Frame 1000~3000kg[2falls]



C-Frame 5000kg



C-Frame 7500kg



C-Frame 10000kg

Specification & Dimensions

STANDARD

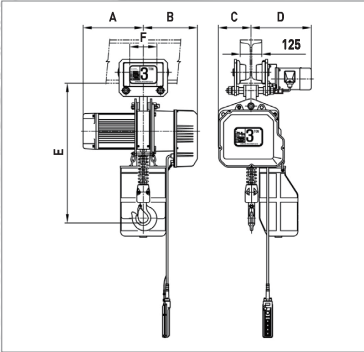
Frame	Model	Capacity (KG)	Hoisting Motor-Single				Hoisting Motor-Dual				Load Chain (mm*Falls)	Net.Weight (kgs)	Dimension					
			Power(kw)		Speed(m/min)		Power(kw)		Speed(m/min)				Single					Dual
			50Hz	60Hz	50Hz	60Hz	50Hz	60Hz	50Hz	60Hz			A	B	C	D	E	A
A	SMO-S250	250	0.21*8P	0.25*8P	3.5	4.2	-	-	-	-	Ø5 x 1	32	245	238	150	180	430	-
			0.42*4P	0.5*4P	7	8.4	-	-	-	-								
	SMO-S490	490	0.42*4P	0.5*4P	3.5	4.2	-	-	-	-	Ø5 x 2	37	245	238	150	180	430	-
	SMO-S500	500	0.92*4P	1.1*4P	7	8.4	-	-	-	-	Ø5 x 1							
B	SMO-S(D)500	500	1.25*4P	1.5*4P	9	10.8	1.25/0.63*4/8P	1.5/0.75*4/8P	9.0/4.5	10.8/5.4	Ø7.1 x 1	65	295	245	145	210	495	325
			1.25*4P	1.5*4P	5.8	7	1.25/0.63*4/8P	1.5/0.75*4/8P	5.8/2.9	7.0/3.5								
	SMO-S(D)1000	1000	1.25*4P	1.5*4P	6.4	7.7	1.25/0.63*4/8P	1.5/0.75*4/8P	6.4/3.2	7.7/3.9	Ø7.1 x 1	65	295	245	145	210	495	325
			1.7*4P	2.0*4P	5.8	7	1.7/0.85*4/8P	2.0/1.0*4/8P	5.8/2.9	7.0/3.5								
	SMO-S(D)1250	1250	1.7*4P	2.0*4P	6.4	7.7	1.7/0.85*4/8P	2.0/1.0*4/8P	6.4/3.2	7.7/3.9	Ø7.1 x 1	65	295	245	145	210	495	325
			2.1*4P	2.5*4P	6.7	8	2.1/1.05*4/8P	2.5/1.25*4/8P	6.7/3.3	8.0/4.0								
	SMO-S(D)1500	1500	2.1*4P	2.5*4P	7.3	8.8	2.1/1.05*4/8P	2.5/1.25*4/8P	7.3/3.7	8.8/4.4	Ø8.0 x 1	75	325	245	170	240	525	355
			1.25*4P	1.5*4P	2.9	3.5	1.25/0.63*4/8P	1.5/0.75*4/8P	2.9/1.5	3.5/1.8								
	SMO-S(D)1800	1800	1.25*4P	1.5*4P	2.9	3.5	1.25/0.63*4/8P	1.5/0.75*4/8P	3.2/1.6	3.9/1.9	Ø7.1 x 2	80	295	245	145	210	575	325
			1.7*4P	2.0*4P	2.9	3.5	1.7/0.85*4/8P	2.0/1.0*4/8P	2.9/1.5	3.5/1.8								
	SMO-S(D)2000	2000	1.25*4P	1.5*4P	2.9	3.5	1.25/0.63*4/8P	1.5/0.75*4/8P	3.2/1.6	3.9/1.9	Ø7.1 x 2	80	295	245	145	210	575	325
			1.7*4P	2.0*4P	3.2	3.9	1.7/0.85*4/8P	2.0/1.0*4/8P	3.2/1.6	3.9/2.0								
SMO-S(D)2500	2500	2.1*4P	2.5*4P	3.3	4	2.1/1.05*4/8P	2.5/1.25*4/8P	3.3/1.7	4.0/2.0	Ø8.0 x 2	85	325	245	170	240	645	355	
		1.25*4P	1.5*4P	2.9	3.5	1.25/0.63*4/8P	1.5/0.75*4/8P	2.9/1.5	3.5/1.8									
SMO-S(D)3000	3000	2.1*4P	2.5*4P	3.7	4.4	2.1/1.05*4/8P	2.5/1.25*4/8P	3.7/1.8	4.4/2.2	Ø8.0 x 2	85	325	245	170	240	645	355	
		2.9*4P	3.5*4P	5	6	2.9/1.45*4/8P	3.5/1.75*4/8P	5.0/2.5	6.0/3.0									
C	SMO-S(D)3000	3000	2.9*4P	3.5*4P	2.5	3	2.9/1.45*4/8P	3.5/1.75*4/8P	2.5/1.3	3.0/1.5	Ø11.2 x 1	120	350	315	195	285	830	390
	SMO-S(D)5000	5000	2.9*4P	3.5*4P	1.7	2	2.9/1.45*4/8P	3.5/1.75*4/8P	1.7/0.8	2.0/1.0	Ø11.2 x 2	220	350	315	125	350	1190	390
	SMO-S(D)7500	7500	2.9*4P	3.5*4P	1.3	1.5	2.9/1.45*4/8P	3.5/1.75*4/8P	1.3/0.6	1.5/0.8	Ø11.2 x 3	390	385	325	190	430	1550	390
	SMO-S(D)10000	10000	2.9*4P	3.5*4P	1.3	1.5	2.9/1.45*4/8P	3.5/1.75*4/8P	1.3/0.6	1.5/0.8	Ø11.2 x 4	550	385	385	465	465	1550	390



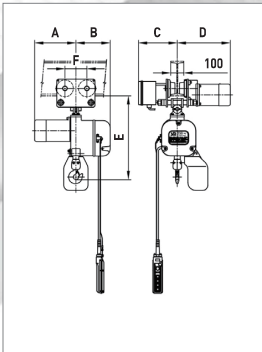
CHAIN HOIST

Motor Trolley Type

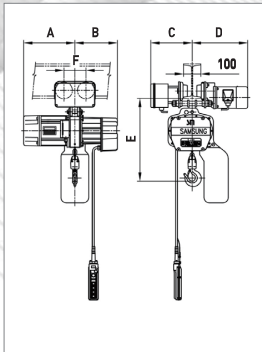
SM-SERISE CHAIN HOIST



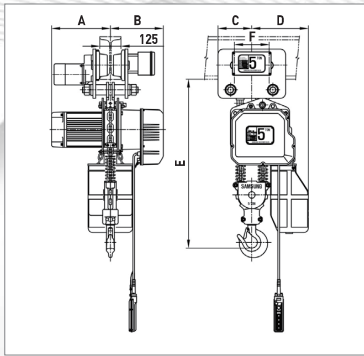
C-Frame 3000kg



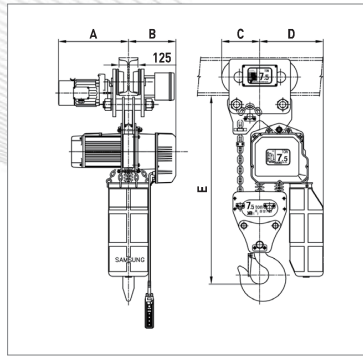
A-Frame 250-500kg



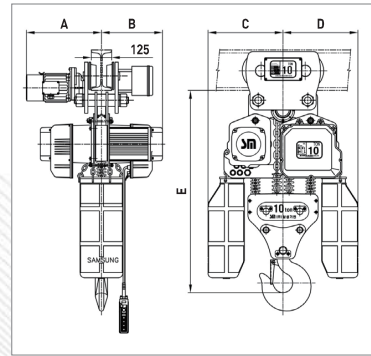
B-Frame 1000-3000kg[2falls]



C-Frame 5000kg



C-Frame 7500kg



C-Frame 10000kg

Specification & Dimensions

STANDARD

Frame	Model	Capacity (KG)	Hoisting Motor-Single				Hoisting Motor-Dual				Traversing Motor				Load Chain (mm* Falls)	Net. Weight (kgs)	I-Beam Width (mm)	Min. Radius For Curve (mm)	Dimension					
			Power(kw)		Speed(m/min)		Power(kw)		Speed(m/min)		Power(kw)		Speed(m/min)						Single			Dual		
			50Hz	60Hz	50Hz	60Hz	50Hz	60Hz	50Hz	60Hz	50Hz	60Hz	50Hz	60Hz					A	B	C	D	E	A
A	SMT-S250	250	0.21*8P	0.25*8P	3.5	4.2	-	-	-	-	0.33*4P	0.4*4P	16.7	20	Ø5x1	75-125	1200	245	238	240	320	490	-	
			0.42*4P	0.5*4P	7	8.4	-	-	-	-	-	-	-	-	-			-	-	-	-	-	-	
	SMT-S490	490	0.42*4P	0.5*4P	3.5	4.2	-	-	-	-	0.33*4P	0.4*4P	16.7	20	Ø5x2 Ø5x1			245	238	240	320	490	-	
	SMT-S500	500	0.92*4P	1.1*4P	7	8.4	-	-	-	-	-	-	-	-	-	-	-	-	-	-	-	-		
B	SMT-S(D)500	500	1.25*4P	1.5*4P	9	10.8	1.25/0.63*4/8P	1.5/0.75*4/8P	9.0/4.5	10.8/5.4	0.33*4P	0.4*4P	16.7	20	Ø7.1x1	75-125	1200	295	245	240	320	500	325	
			1.25*4P	1.5*4P	5.8	7	1.25/0.63*4/8P	1.5/0.75*4/8P	5.8/2.9	7.0/3.5	0.33*4P	0.4*4P	16.7	20	Ø7.1x1			295	245	240	320	500	325	
	SMT-S(D)1000	1000	1.25*4P	1.5*4P	6.4	7.7	1.25/0.63*4/8P	1.5/0.75*4/8P	6.4/3.2	7.7/3.9	0.33*4P	0.4*4P	16.7	20	Ø7.1x1			295	245	240	320	500	325	
			1.7*4P	2.0*4P	5.8	7	1.7/0.85*4/8P	2.0/1.0*4/8P	5.8/2.9	7.0/3.5	0.33*4P	0.4*4P	16.7	20	Ø7.1x1			295	245	240	320	500	325	
	SMT-S(D)1250	1250	1.7*4P	2.0*4P	6.4	7.7	1.7/0.85*4/8P	2.0/1.0*4/8P	6.4/3.2	7.7/3.9	0.33*4P	0.4*4P	16.7	20	Ø7.1x1			295	245	240	320	500	325	
			2.1*4P	2.5*4P	6.7	8	2.1/1.05*4/8P	2.5/1.25*4/8P	6.7/3.3	8.0/4.0	0.33*4P	0.4*4P	15.8	19	Ø8.0x1			325	245	240	320	530	355	
	SMT-S(D)1500	1500	2.1*4P	2.5*4P	7.3	8.8	2.1/1.05*4/8P	2.5/1.25*4/8P	7.3/3.7	8.8/4.4	0.33*4P	0.4*4P	15.8	19	Ø7.1x2			295	245	240	320	580	325	
			1.25*4P	1.5*4P	2.9	3.5	1.25/0.63*4/8P	1.5/0.75*4/8P	2.9/1.5	3.5/1.8	0.33*4P	0.4*4P	15.8	19	Ø7.1x2			295	245	240	320	580	325	
	SMT-S(D)2000	2000	1.25*4P	1.5*4P	2.9	3.5	1.25/0.63*4/8P	1.5/0.75*4/8P	2.9/1.5	3.5/1.8	0.33*4P	0.4*4P	15.8	19	Ø7.1x2			295	245	240	320	580	325	
			1.7*4P	2.0*4P	2.9	3.5	1.7/0.85*4/8P	2.0/1.0*4/8P	2.9/1.5	3.5/1.8	0.33*4P	0.4*4P	15.8	19	Ø7.1x2			295	245	240	320	580	325	
	SMT-S(D)2500	2500	1.7*4P	2.0*4P	3.2	3.9	1.7/0.85*4/8P	2.0/1.0*4/8P	3.2/1.6	3.9/2.0	0.33*4P	0.4*4P	15.8	19	Ø7.1x2			295	245	240	320	580	325	
			2.1*4P	2.5*4P	3.3	4	2.1/1.05*4/8P	2.5/1.25*4/8P	3.3/1.7	4.0/2.0	0.33*4P	0.4*4P	15.8	19	Ø8.0x2			325	245	240	320	650	355	
SMT-S(D)3000	3000	2.1*4P	2.5*4P	3.7	4.4	2.1/1.05*4/8P	2.5/1.25*4/8P	3.7/1.8	4.4/2.2	0.33*4P	0.4*4P	15.8	19	Ø8.0x2	325	245	240	320	650	355				
		2.9*4P	3.5*4P	5	6	2.9/1.45*4/8P	3.5/1.75*4/8P	5.0/2.5	6.0/3.0	0.33*4P	0.4*4P	13.3	16	Ø11.2x1	350	315	190	350	810	390				
C	SMT-S(D)3000	3000	2.9*4P	3.5*4P	2.5	3	2.9/1.45*4/8P	3.5/1.75*4/8P	2.5/1.3	3.0/1.5	0.33*4P	0.4*4P	13.3	16	Ø11.2x2	350	315	200	350	1070	390			
			2.9*4P	3.5*4P	1.7	2	2.9/1.45*4/8P	3.5/1.75*4/8P	1.7/0.8	2.0/1.0	0.4*6P	0.5*6P	10.8	13	Ø11.2x3	465	330	260	430	1280	-			
	SMT-S(D)10000	10000	2.9*4P	3.5*4P	1.3	1.5	2.9/1.45*4/8P	3.5/1.75*4/8P	1.3/0.6	1.5/0.8	0.83*6P	1.0*6P	10.8	13	Ø11.2x4	465	390	465	465	1280	-			
			2.9*4P	3.5*4P	1.3	1.5	2.9/1.45*4/8P	3.5/1.75*4/8P	1.3/0.6	1.5/0.8	0.83*6P	1.0*6P	10.8	13	Ø11.2x4	465	390	465	465	1280	-			

CHAIN HOIST

Special Type

SINGLE PHASE HOIST

Powerful Performance

Excellent Performance Including When Lower Voltage Lifting up to The Weight of 1.25 Times Heavier Than Rated Weight.

Enough Working Time

Over 20 Minutes of Running Time as Like 3 Phase Hoist.



Specification & Dimensions

STANDARD

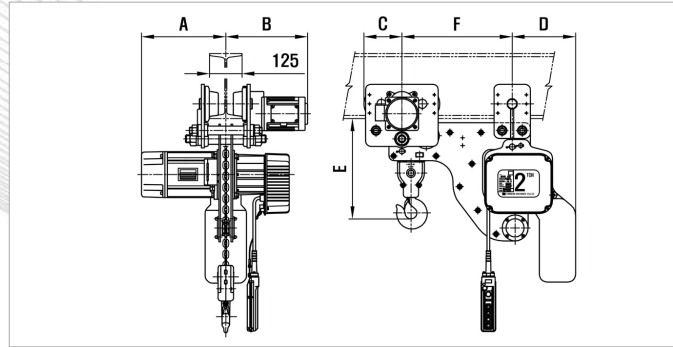
Frame	Model	Capacity (KG)	Hoisting Motor				Load Chain (mm*Falls)	Net.Weight (kgs)	Dimension				
			Power(kw)		Speed(m/min)				Single				
			50Hz	60Hz	50Hz	60Hz			A	B	C	D	E
A	SMO-S250-SP	250	0.21*8P	0.25*8P	3.5	4.2	Ø5 x 1	32	245	238	150	180	430
			0.42*4P	0.5*4P	7.0	8.4							
	SMO-S490-SP	490	0.42*4P	0.5*4P	3.5	4.2	Ø5 x 2	37	245	238	150	180	430
	SMO-S500-SP	500	0.92*4P	1.1*4P	7.0	8.4	Ø5 x 1						
B	SMO-S1000-SP	1000	1.25*4P	1.5*4P	5.8	7.0	Ø7.1 x 1	65	295	245	145	210	495
			1.25*4P	1.5*4P	6.4	7.7							
	SMO-S1800-SP	1800	1.25*4P	1.5*4P	2.9	3.5	Ø7.1 x 2	80	295	245	145	210	575
	SMO-S2000-SP	2000	1.25*4P	1.5*4P	3.2	3.9							

Specification & Dimensions

STANDARD

Frame	Model	Capacity (KG)	Hoisting Motor				Traversing Motor				Load Chain (mm* Falls)	Net. Weight (kgs)	I-Beam Width (mm)	Min. Radius For Curve (mm)	Dimension				
			Power(kw)		Speed(m/min)		Power(kw)		Speed(m/min)						Single				
			50Hz	60Hz	50Hz	60Hz	50Hz	60Hz	50Hz	60Hz					A	B	C	D	E
A	SMT-S250-SP	250	0.21*8P	0.25*8P	3.5	4.2	0.33*4P	0.4*4P	16.7	20	Ø5 x 1	58	75~125	1200	245	238	240	320	490
			0.42*4P	0.5*4P	7.0	8.4													
	SMT-S490-SP	490	0.42*4P	0.5*4P	3.5	4.2	0.33*4P	0.4*4P	16.7	20	Ø5 x 2	60			245	238	240	320	490
	SMT-S500-SP	500	0.92*4P	1.1*4P	7.0	8.4													
B	SMT-S1000-SP	1000	1.25*4P	1.5*4P	5.8	7.0	0.33*4P	0.4*4P	16.7	20	Ø7.1 x 1	105	75~125	1200	295	245	240	300	500
			1.25*4P	1.5*4P	6.4	7.7													
	SMT-S1800-SP	1800	1.25*4P	1.5*4P	2.9	3.5	0.33*4P	0.4*4P	15.8	19	Ø7.1 x 2	115	100~150	1500	295	245	240	300	580
	SMT-S2000-SP	2000	1.25*4P	1.5*4P	3.2	3.9													

LOW HEAD TYPE



Specification & Dimensions

STANDARD

Frame	Model	Capacity (KG)	Hoisting Motor-Single				Hoisting Motor-Dual				Traversing Motor				Load Chain (mm* Falls)	Net. Weight (kgs)	I-Beam Width (mm)	Min. Radius For Curve (mm)	Dimension						
			Power(kw)		Speed(m/min)		Power(kw)		Speed(m/min)		Power(kw)		Speed(m/min)						Single			Dual			
			50Hz	60Hz	50Hz	60Hz	50Hz	60Hz	50Hz	60Hz	50Hz	60Hz	50Hz	60Hz					A	B	C	D	E	F	A
B	SML-S(D)1000	1000	1.25*4P	1.5*4P	5.8	7	1.25/0.63*4/8P	1.5/0.75*4/8P	5.8/2.9	7.0/3.5	0.33*4P	0.4*4P	16.7	20	Ø7.1x1	105	75~125	∞	295	313	118	245	310	425	325
			1.25*4P	1.5*4P	6.4	7.7	1.25/0.63*4/8P	1.5/0.75*4/8P	6.4/3.2	7.7/3.9															
	SML-S(D)1250	1250	1.7*4P	2.0*4P	5.8	7	1.7/0.85*4/8P	2.0/1.0*4/8P	5.8/2.9	7.0/3.5	0.33*4P	0.4*4P	16.7	20	Ø7.1x1	105	75~125	∞	295	313	118	245	310	425	325
			1.7*4P	2.0*4P	6.4	7.7	1.7/0.85*4/8P	2.0/1.0*4/8P	6.4/3.2	7.7/3.9															
	SML-S(D)1500	1500	2.1*4P	2.5*4P	6.7	8	2.1/1.05*4/8P	2.5/1.25*4/8P	6.7/3.3	8.0/4.0	0.33*4P	0.4*4P	15.8	19	Ø8.0x1	115	75~125	∞	325	317	140	245	340	425	355
			2.1*4P	2.5*4P	7.3	8.8	2.1/1.05*4/8P	2.5/1.25*4/8P	7.3/3.7	8.8/4.4															
	SML-S(D)1800	1800	1.25*4P	1.5*4P	2.9	3.5	1.25/0.63*4/8P	1.5/0.75*4/8P	2.9/1.5	3.5/1.8	0.33*4P	0.4*4P	15.8	19	Ø7.1x2	115	100~150	∞	295	317	140	245	385	425	325
			1.7*4P	2.0*4P	2.9	3.5	1.7/0.85*4/8P	2.0/1.0*4/8P	2.9/1.5	3.5/1.8															
	SML-S(D)2000	2000	1.25*4P	1.5*4P	2.9	3.5	1.25/0.63*4/8P	1.5/0.75*4/8P	2.9/1.5	3.5/1.8	0.33*4P	0.4*4P	15.8	19	Ø7.1x2	115	100~150	∞	295	317	140	245	385	425	325
			1.7*4P	2.0*4P	2.9	3.5	1.7/0.85*4/8P	2.0/1.0*4/8P	2.9/1.5	3.5/1.8															
SML-S(D)2500	2500	2.1*4P	2.5*4P	3.3	4	2.1/1.05*4/8P	2.5/1.25*4/8P	3.3/1.7	4.0/2.0	0.33*4P	0.4*4P	15.8	19	Ø8.0x2	120	75~125	∞	325	317	140	245	455	425	355	
		2.1*4P	2.5*4P	3.7	4.4	2.1/1.05*4/8P	2.5/1.25*4/8P	3.7/1.8	4.4/2.2																
C	SML-S(D)3000	3000	2.9*4P	3.5*4P	5	6	2.9/1.45*4/8P	3.5/1.75*4/8P	5.0/2.5	6.0/3.0	0.33*4P	0.4*4P	13.3	16	Ø11.2x1	175	125~175	∞	320	317	140	272	520	480	350
			2.9*4P	3.5*4P	2.5	3	2.9/1.45*4/8P	3.5/1.75*4/8P	2.5/1.3	3.0/1.5															
C	SML-S(D)5000	5000	2.9*4P	3.5*4P	2.5	3	2.9/1.45*4/8P	3.5/1.75*4/8P	2.5/1.3	3.0/1.5	0.33*4P	0.4*4P	13.3	16	Ø11.2x2	275	125~175	∞	320	334	180	272	735	555	350
			2.9*4P	3.5*4P	2.5	3	2.9/1.45*4/8P	3.5/1.75*4/8P	2.5/1.3	3.0/1.5															

SPECIAL TYPE

HIGH LIFTING TYPE



EXPLOSION PROOF

- 1TON SMT-EX1000
- 2TON SMT-EX2000
- 3TON SMT-EX3000

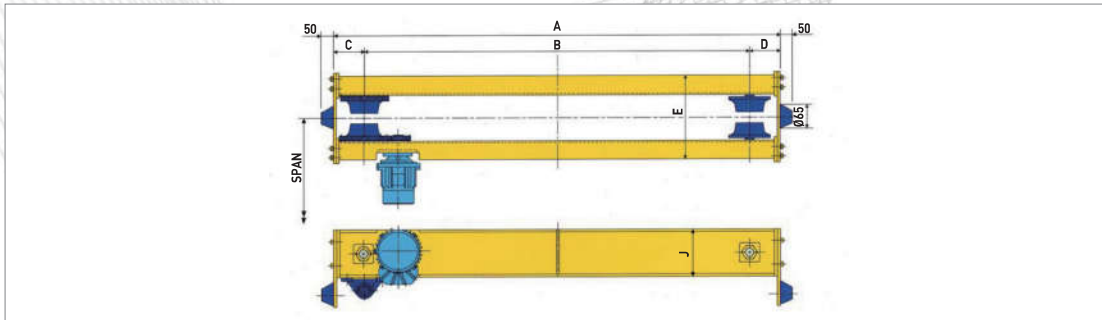


DOBLE GIRDER TYPE



CRANE COMPONENTS Saddle Unit

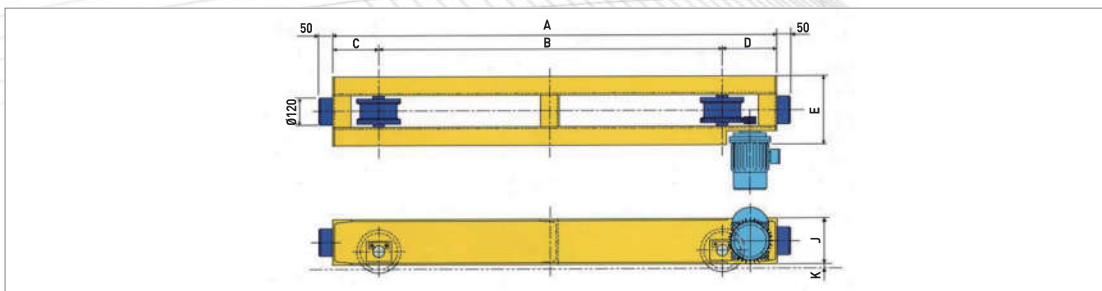
SUSPENSION TYPE



Specification & Dimensions

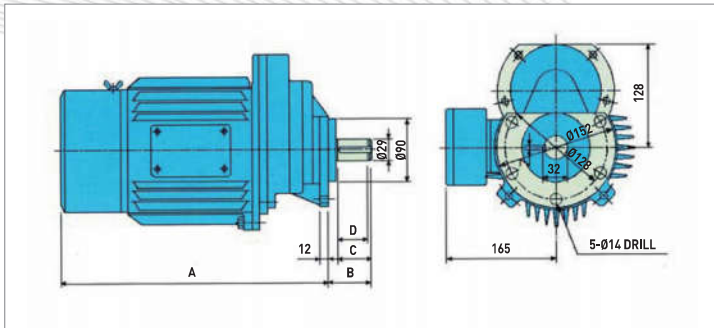
TYPE	Travelling speed (m/min)		Motor (Kw×P)	A	B	C	D	E	J	Travelling Rail (I-Beam)
Ø125	Low	14	0.5Kw×6P	1650	1250	120	280	320	150	I 200×100×7t
	High	20	0.75Kw×4P	1900	1500			345		I 250×125×7.5t
				2400	2000	370	I 300×150×10t			
Ø160	Low	14	0.5Kw×6P	2000	1500	150	300	360	200	I 200×100×7t
	High	20	0.75Kw×4P	2500	2000			386		I 250×125×7.5t
				3000	2500	386	I 300×150×10t			

SUSPENSION TYPE



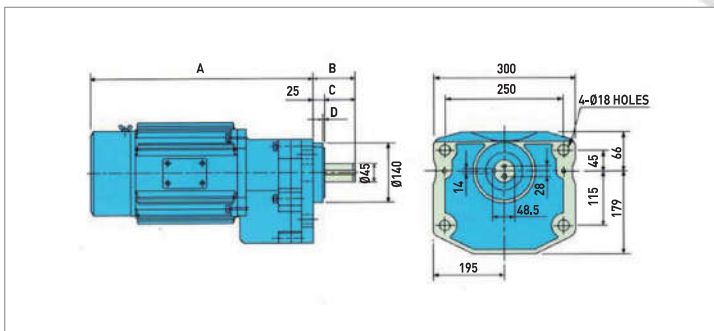
Specification & Dimensions

TYPE	Travelling speed (m/min)		Motor (Kw×P)	A	B	C	D	E	J	K	Travelling Rail (I-Beam)
Ø160	Low	16	0.5Kw×6P	1940	1500	200	240	300	200	20	15, 22
	High	24	0.75Kw×4P	2440	2000						
Ø200	Low	18	0.5Kw×6P	1950	1500	200	250	300	200	20	15, 22
	High	26	0.75Kw×4P	2450	2000						
Ø250	Low	16	1Kw×6P	2000	1500	220	280	310	200	25	15, 22, 30
	High	24	1.5Kw×4P	2500	2000						
Ø315	Low	20	1Kw×6P	2720	2000	250	350	340	250	32.5	22, 30, 37
	High	30	1.5Kw×4P	3220	2500						
				3720	3000						



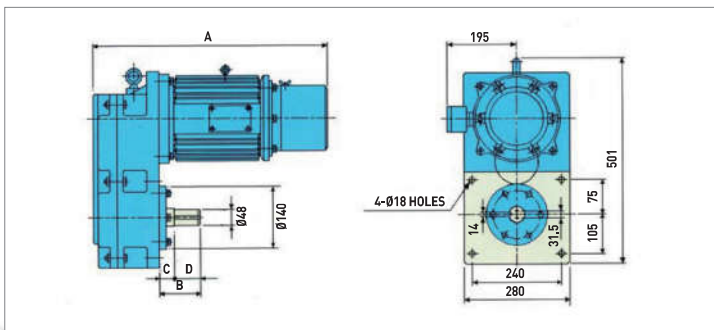
MODEL-A

Dimensions	0.5kW×6p 0.75kW×4p	0.5kW×6p 0.75kW×4p
A	352	387
B	87	87
C	64	64
D	60	60
RATIO	1/12, 12	1/16.3



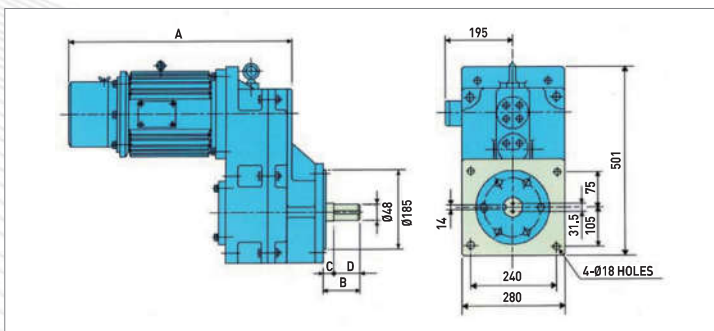
MODEL-B

Dimensions	1.5kW×6p	2.2kW×4p
A	550	550
B	84	84
C	59	59
D	5	5
RATIO	1/20, 26	



MODEL-C

Dimensions	1.5kW×6p	2.2kW×4p
A	650	650
B	95	95
C	35	35
D	60	60
RATIO	1/22	



MODEL-D

Dimensions	1.5kW×6p	2.2kW×4p
A	650	650
B	105	105
C	41	41
D	64	64
RATIO	1/22	